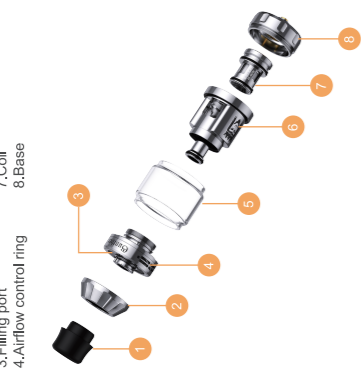


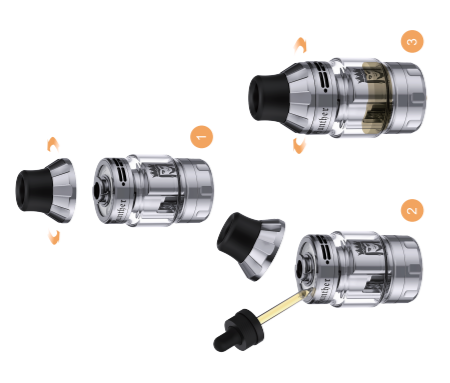
Thank you for choosing Vapefly!
We are committed to providing you with the best user experience. For additional information regarding the product or the tank, please contact your local retailer, dealer or visit our website: www.vapefly.com.

Dimensioni: 24,2x42,5mm
Capacità: 3,2ml (liquido) / 2ml (PTO)
Cilindro: 10,2mm (diametro) / 1,2mm (spessore)
Distanza tra i contatti: 10,2mm (diametro)
Distanza tra i contatti: 10,2mm (diametro)

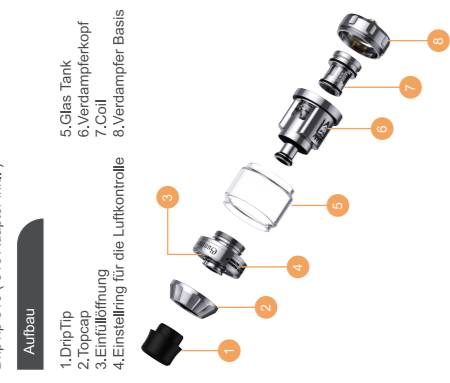
Accessori:
1. 5.0ml Tank
2. 2.0ml Tank
3. 2.0ml Tank
4. 2.0ml Tank
5. 2.0ml Tank



Unboxing:
1. Remove the top cap.
2. Flip open the tank.
3. Remove the coil.
4. Screw the base back.



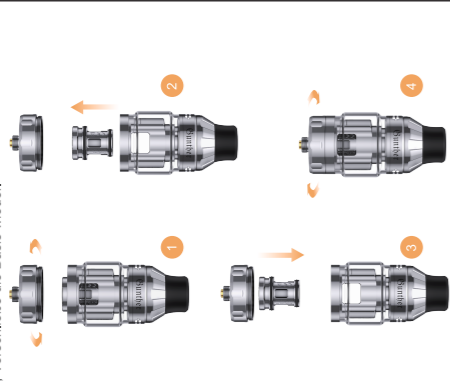
Spécialisation:
Cilindro: 10,2x42,5mm
Capacità: 3,2ml (liquido) / 2ml (PTO)
Cilindro: 10,2mm (diametro) / 1,2mm (spessore)
Distanza tra i contatti: 10,2mm (diametro)



Unboxing:
1. Open the top cap.
2. Flip open the tank.
3. Remove the coil.
4. Screw the base back.



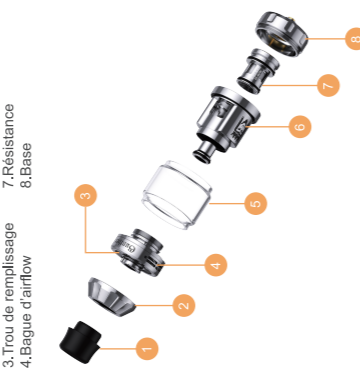
Unboxing:
1. Open the top cap.
2. Flip open the tank.
3. Remove the coil.
4. Screw the base back.



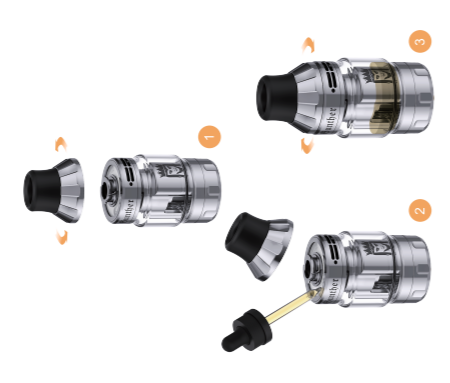
1

Caratteristiche:
Dimensioni: 24,2x42,5mm
Capacità: 3,2ml (liquido) / 2ml (PTO)
Cilindro: 10,2mm (diametro) / 1,2mm (spessore)
Distanza tra i contatti: 10,2mm (diametro)

Accessori:
1. 5.0ml Tank
2. 2.0ml Tank
3. 2.0ml Tank
4. 2.0ml Tank
5. 2.0ml Tank

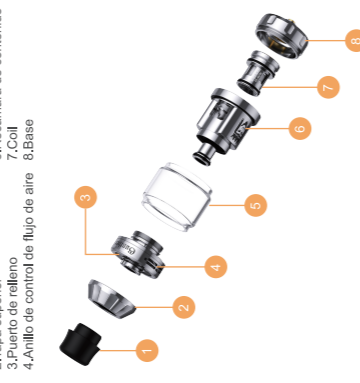


Unboxing:
1. Remove the top cap.
2. Flip open the tank.
3. Remove the coil.
4. Screw the base back.

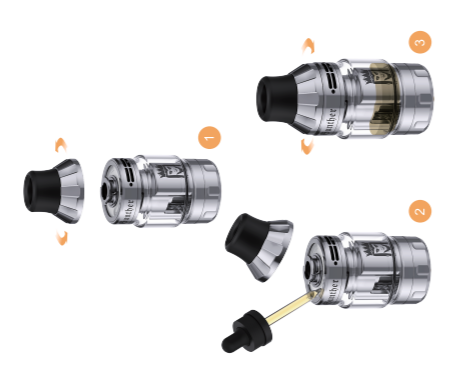


Caratteristiche:
Dimensioni: 24,2x42,5mm
Capacità: 3,2ml (liquido) / 2ml (PTO)
Cilindro: 10,2mm (diametro) / 1,2mm (spessore)
Distanza tra i contatti: 10,2mm (diametro)

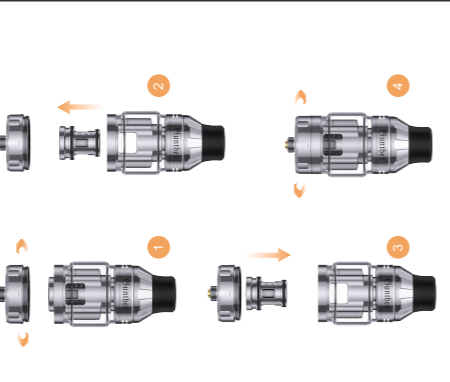
Accessori:
1. 5.0ml Tank
2. 2.0ml Tank
3. 2.0ml Tank
4. 2.0ml Tank
5. 2.0ml Tank



Unboxing:
1. Remove the top cap.
2. Flip open the tank.
3. Remove the coil.
4. Screw the base back.



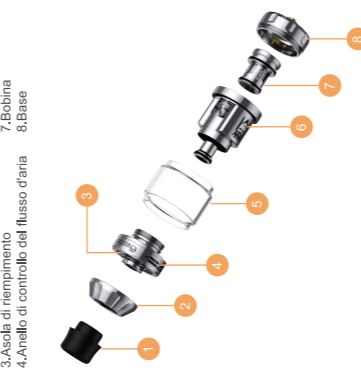
Unboxing:
1. Remove the top cap.
2. Flip open the tank.
3. Remove the coil.
4. Screw the base back.



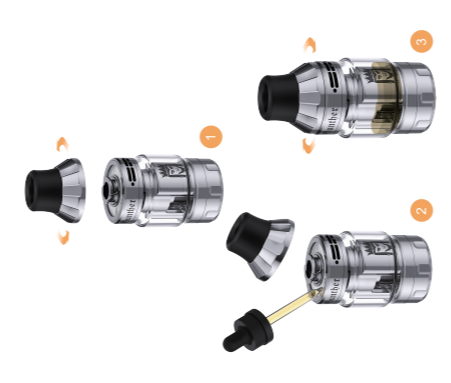
2

Caratteristiche:
Dimensioni: 24,2x42,5mm
Capacità: 3,2ml (liquido) / 2ml (PTO)
Cilindro: 10,2mm (diametro) / 1,2mm (spessore)
Distanza tra i contatti: 10,2mm (diametro)

Accessori:
1. 5.0ml Tank
2. 2.0ml Tank
3. 2.0ml Tank
4. 2.0ml Tank
5. 2.0ml Tank

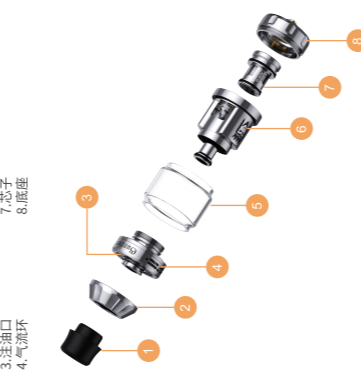


Unboxing:
1. Remove the top cap.
2. Flip open the tank.
3. Remove the coil.
4. Screw the base back.

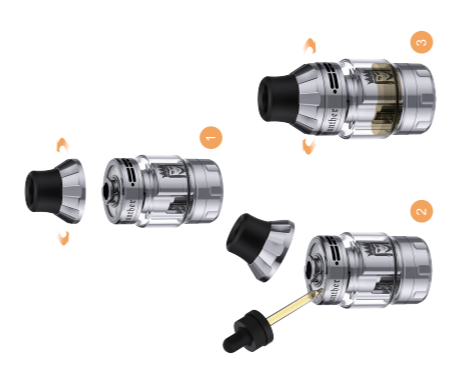


Caratteristiche:
Dimensioni: 24,2x42,5mm
Capacità: 3,2ml (liquido) / 2ml (PTO)
Cilindro: 10,2mm (diametro) / 1,2mm (spessore)
Distanza tra i contatti: 10,2mm (diametro)

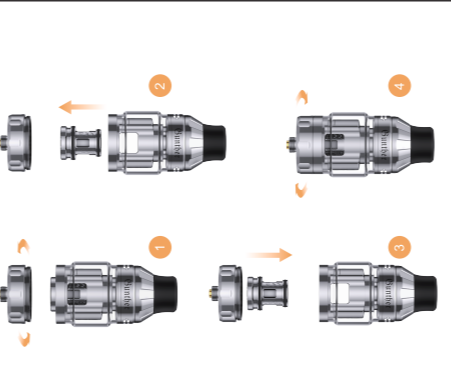
Accessori:
1. 5.0ml Tank
2. 2.0ml Tank
3. 2.0ml Tank
4. 2.0ml Tank
5. 2.0ml Tank



Unboxing:
1. Remove the top cap.
2. Flip open the tank.
3. Remove the coil.
4. Screw the base back.



Unboxing:
1. Remove the top cap.
2. Flip open the tank.
3. Remove the coil.
4. Screw the base back.



3

Caratteristiche:
Dimensioni: 24,2x42,5mm
Capacità: 3,2ml (liquido) / 2ml (PTO)
Cilindro: 10,2mm (diametro) / 1,2mm (spessore)
Distanza tra i contatti: 10,2mm (diametro)

Accessori:
1. 5.0ml Tank
2. 2.0ml Tank
3. 2.0ml Tank
4. 2.0ml Tank
5. 2.0ml Tank



Unboxing:
1. Remove the top cap.
2. Flip open the tank.
3. Remove the coil.
4. Screw the base back.



Caratteristiche:
Dimensioni: 24,2x42,5mm
Capacità: 3,2ml (liquido) / 2ml (PTO)
Cilindro: 10,2mm (diametro) / 1,2mm (spessore)
Distanza tra i contatti: 10,2mm (diametro)

Accessori:
1. 5.0ml Tank
2. 2.0ml Tank
3. 2.0ml Tank
4. 2.0ml Tank
5. 2.0ml Tank



Unboxing:
1. Remove the top cap.
2. Flip open the tank.
3. Remove the coil.
4. Screw the base back.



Unboxing:
1. Remove the top cap.
2. Flip open the tank.
3. Remove the coil.
4. Screw the base back.



- 要求:**
1.材料: 105g铜版纸
2.成品尺寸: L88xW55mm
3.工艺:
a.4C双面印,骑马钉, 24P, 封面封底过哑膜

4

本产编号 / 包装名	KA281说明书
包装材料 :	铜版纸
包装尺寸 :	L88xW55mm : A0
尺寸公差 :	± 0.5mm : 1:1

修改记录	版本	修改人	修改日期	备注
绘图: 刘金成	刘金成	日期	20210914	核准:
视角投影:	单位: mm	比例: 1:1	审核:	

Vapefly
VAPEFLY
深圳市肯瑞特科技有限公司
Vapefly Technology Co., LTD.



Attention:
This product is not intended for use as a cigarette or for persons who are pregnant or breastfeeding. It is not intended for use as a toy or for children under the age of 18. It is not intended for use as a replacement for nicotine or for persons who are addicted to nicotine. It is not intended for use as a replacement for tobacco or for persons who are addicted to tobacco. It is not intended for use as a replacement for alcohol or for persons who are addicted to alcohol. It is not intended for use as a replacement for any other substance.

Vapefly Technology Co., LTD.
Address: Shenzhen, China
Tel: +86 755 2622 1421
Email: sales@vapefly.com
Website: www.vapefly.com